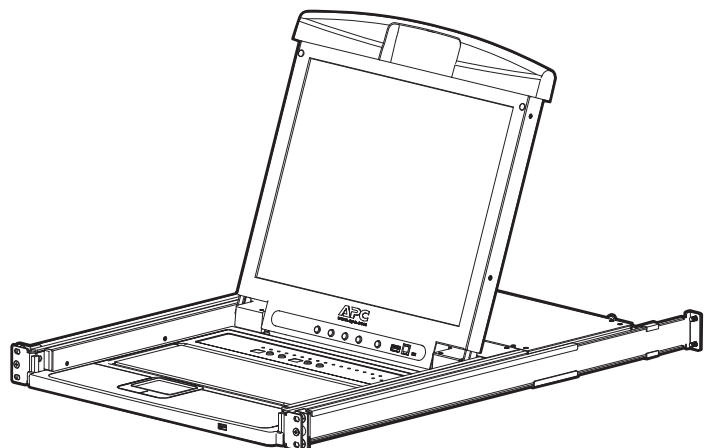


User Manual

Rack LCD Console

AP5717, AP5717F, AP5717G,
AP5717J, AP5717R, AP5717UK
AP5719





This manual is available in English on the enclosed CD.

Dieses Handbuch ist in Deutsch auf der beiliegenden CD-ROM verfügbar.

Este manual está disponible en español en el CD-ROM adjunto.

Ce manuel est disponible en français sur le CD-ROM ci-inclus.

Questo manuale è disponibile in italiano nel CD-ROM allegato.

本マニュアルの日本語版は同梱の CD-ROM からご覧になれます。

Данное руководство на русском языке имеется на прилагаемом компакт-диске.

您可以从包含的 CD 上获得本手册的中文版本。

동봉된 CD 안에 한국어 매뉴얼이 있습니다 .

American Power Conversion Legal Disclaimer

The information presented in this manual is not warranted by the American Power Conversion Corporation to be authoritative, error free, or complete. This publication is not meant to be a substitute for a detailed operational and site specific development plan. Therefore, American Power Conversion Corporation assumes no liability for damages, violations of codes, improper installation, system failures, or any other problems that could arise based on the use of this Publication.

The information contained in this Publication is provided as is and has been prepared solely for the purpose of evaluating data center design and construction. This Publication has been compiled in good faith by American Power Conversion Corporation. However, no representation is made or warranty given, either express or implied, as to the completeness or accuracy of the information this Publication contains.

IN NO EVENT SHALL AMERICAN POWER CONVERSION CORPORATION, OR ANY PARENT, AFFILIATE OR SUBSIDIARY COMPANY OF AMERICAN POWER CONVERSION CORPORATION OR THEIR RESPECTIVE OFFICERS, DIRECTORS, OR EMPLOYEES BE LIABLE FOR ANY DIRECT, INDIRECT, CONSEQUENTIAL, PUNITIVE, SPECIAL, OR INCIDENTAL DAMAGES (INCLUDING, WITHOUT LIMITATION, DAMAGES FOR LOSS OF BUSINESS, CONTRACT, REVENUE, DATA, INFORMATION, OR BUSINESS INTERRUPTION) RESULTING FROM, ARISING OUT, OR IN CONNECTION WITH THE USE OF, OR INABILITY TO USE THIS PUBLICATION OR THE CONTENT, EVEN IF AMERICAN POWER CONVERSION CORPORATION HAS BEEN EXPRESSLY ADVISED OF THE POSSIBILITY OF SUCH DAMAGES. AMERICAN POWER CONVERSION CORPORATION RESERVES THE RIGHT TO MAKE CHANGES OR UPDATES WITH RESPECT TO OR IN THE CONTENT OF THE PUBLICATION OR THE FORMAT THEREOF AT ANY TIME WITHOUT NOTICE.

Copyright, intellectual, and all other proprietary rights in the content (including but not limited to software, audio, video, text, and photographs) rests with American Power Conversion Corporation or its licensors. All rights in the content not expressly granted herein are reserved. No rights of any kind are licensed or assigned or shall otherwise pass to persons accessing this information.

This Publication shall not be for resale in whole or in part.

Contents

General Information	1
Overview	1
Symbols used in this manual	1
Safety	2
Taking Delivery	3
Inventory	3
Components	4
Front View	4
Rear View	6
Installation	7
Brackets	7
Rack LCD Console Installation	9
Cable installation	9
Power On the Rack LCD console	9
Operation	10
Basic Functions	10
Opening the Rack LCD console	10
Closing the Rack LCD console	10
Powering off and restarting	10
Standby mode	10
Hot plugging	10
LCD OSD (On Screen Display) configuration	10
Monitor settings	11
USB Peripheral Devices	11
Firmware Upgrade Mode	12
Start the upgrade	12
Upgrade succeeded	12
Upgrade failed	12
Exit firmware upgrade mode	13
Firmware upgrade recovery	13

Troubleshooting 14
Specifications 15

General Information

Overview

The Rack LCD Console features an 17” or a 19” LCD panel, a full keyboard, and a touch pad in a rack-mountable sliding housing. The Rack LCD Console is intended for use with compatible target devices (a KVM switch or server).

Symbols used in this manual

Note the definitions for the icons here and be observant for them throughout this manual. They are intended to call attention to potential hazards and important information.



Electrical Hazard: Indicates an electrical hazard which, if not avoided, could result in injury or death.



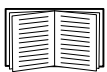
Warning: Indicates a hazard which, if not avoided, could result in personal injury or death.



Caution: Indicates a potential hazard which, if not avoided, could result in damage to the equipment or other property.



Note: Indicates important information.



Indicates that more information is available on the same subject either elsewhere in this document or in another (named) document.

Safety

Read and adhere to the following important safety considerations when working with the Rack LCD Console.



- Note:**
1. Read all of the instructions. Follow all warnings and instructions.
 2. All work must be performed by American Power Conversion (APC®) authorized personnel only.



- Electrical Hazard:**
1. If you are not sure if your power source is compatible with the device requirements, consult your power company.
 2. The device is designed for use with IT power distribution systems with up to 230V phase-to-phase voltage.
 3. Do not overload the AC branch circuit that provides power to the rack.
 4. To prevent damage make sure all devices are properly grounded.
 5. The device is equipped with a 3-wire grounding type plug. Have an electrician update your outlet if the plug does not fit. Do not attempt to defeat the grounding plug.
 6. Do not exceed the total ampere rating of extension cords if used. Make sure extension cords or power strips are properly grounded.
 7. Protect the system from sudden changes in electrical power with a surge suppressor or uninterruptible power supply (UPS).



- Warning:**
1. Route the power cord and cables so they cannot be stepped on or tripped over.
 2. Avoid injury and equipment damage as a result of rack failure. Read and adhere to the installation and safety instructions that accompany your racks.



- Caution:**
1. Serious damage will result if the device is dropped or falls.
 2. Do not block ventilation openings. The Rack LCD Console requires proper air flow for safe operation.
 3. Do not place the device near or over radiators or heat registers.
 4. The rack ambient temperature should be not greater than 104°F (40°C).
 5. Do not use the device near water. Do not spill any liquid on the device.
 6. Do not use liquid or aerosol cleaners. Clean the device with a damp cloth.
 7. Use only the hardware provided to install the Rack LCD Console in the rack.



- Slide/Rail Caution:** Slide/rail mounted equipment is not to be used as a shelf or a work space.

Taking Delivery

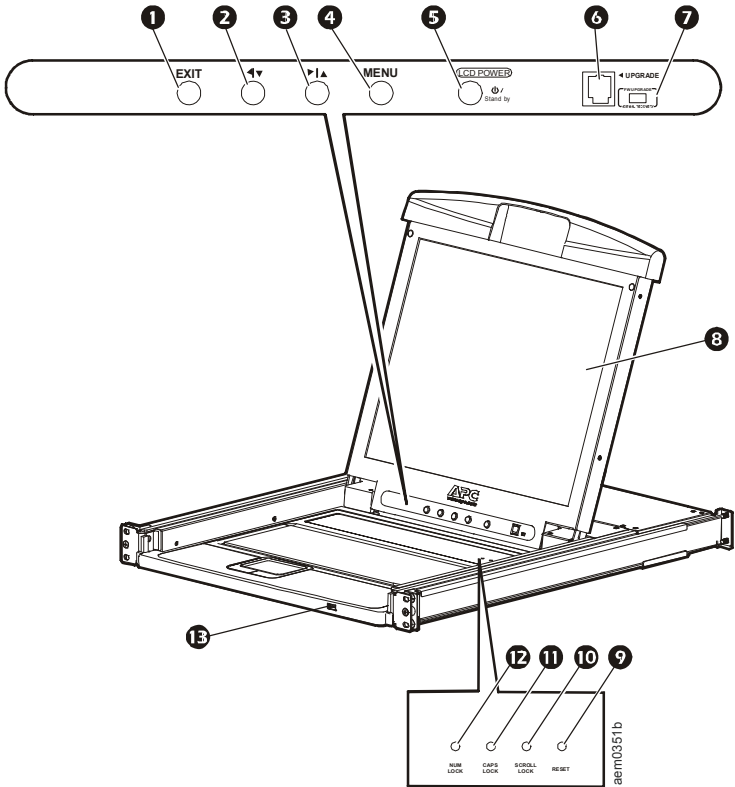
Examine the components at the time of delivery to be sure all parts are present and in good working order. Anything missing or damaged must be reported immediately to the shipping firm and to APC.

Inventory

Description	Quantity
Easy installation rack mounting installation kit	1
Mounting screws	4
Custom communication cable sets	2
- USB cable, length 6 ft. (1)	
- PS2 cable, length 6 ft. (1)	
C13 - C14 power cord	1
NEMA 5 - 15 power cord	1
Firmware upgrade cable	1
USB cable	1
Rack LCD Console	1
Literature Kit	1
Includes:	
- CD (contains User Manual)	
- Quick Start Guide	
- China ROHS	

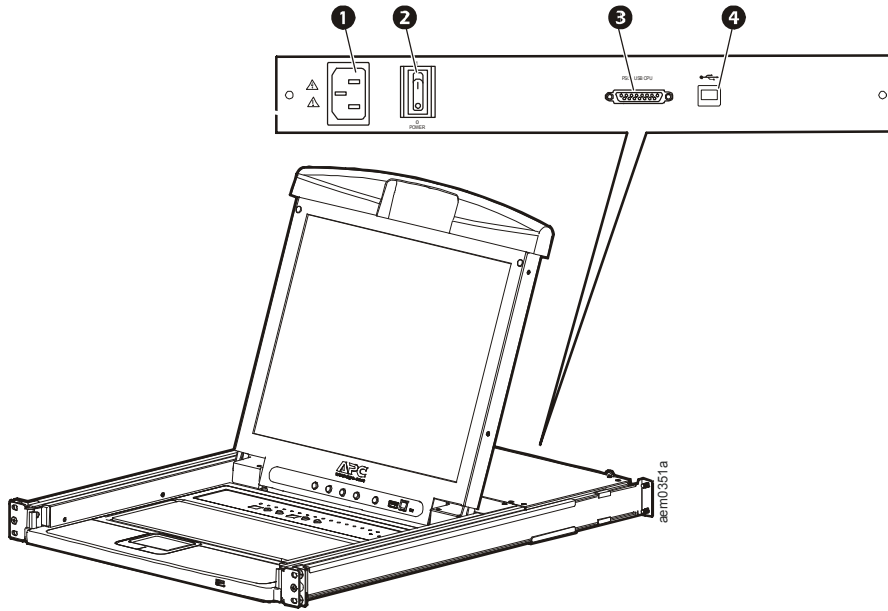
Components

Front View



Item Number	Component	Description
❶	EXIT button	<ol style="list-style-type: none"> 1. Pressing the EXIT button without opening the On Screen Display (OSD) initiates an auto adjustment which reconfigures all settings for the monitor to the optimum display values of the OSD. 2. While the OSD user interface is in use, press the EXIT button to exit the current menu and return to the previous menu or, press the EXIT button to leave an adjustment menu when the adjustment is complete. 3. From the Main Menu screen, pressing the EXIT button, will exit the OSD.
❷	Left/Down Arrows button	Pressing this button moves left or down through the menu and decreases the value when making an adjustment.
❸	Right/Up Arrows button	Pressing this button moves right or up through the menu and increases the value when making an adjustment.
❹	MENU button	<ol style="list-style-type: none"> 1. If the OSD user interface has not been opened, pressing the MENU button initiates it and brings up the Main menu. 2. While the OSD user interface is in use, when a setting choice is reached, pressing the MENU button brings up the setting's adjustment screen.
❺	LCD POWER button	Turns on power to the LCD monitor. An LED light next to the switch will illuminate when the monitor is in stand-by (power-saver) mode.
❻	UPGRADE port	An RJ-11 port to be used to transfer firmware upgrades from the administrator's server to the Rack LCD Console.
❼	FW UPGRADE NORMAL / RECOVERY	The Firmware Upgrade switch should be in the NORMAL position during normal operation of the Rack LCD Console. The switch is set to RECOVERY only when a Firmware Upgrade Recovery is performed. (See "Firmware upgrade recovery" on page 13 for more information.)
❽	LCD monitor	The LCD display monitor of the Rack LCD Console.
❾	RESET switch	Press this recessed switch in with a small object (a pen point) to perform a system reset.
❿	SCROLL LOCK LED	When illuminated, the SCROLL LOCK LED indicates the scroll lock function on the keyboard is enabled.
⓫	CAPS LOCK LED	When illuminated, the CAPS LOCK LED indicates the capitals lock function on the keyboard is enabled.
⓬	NUM LOCK LED	When illuminated, the NUM LOCK LED indicates the number lock function on the keyboard is enabled.
⓭	USB port	Located on the front of the Rack LCD Console, the USB port is used to connect a peripheral device (flash drive, CD-ROM drive, or mouse) and pass through the Rack LCD Console to the connected target device (a KVM switch or server).

Rear View



Item Number	Component	Description
1	Power Socket	Standard 3-prong AC power socket.
2	Power Switch	Standard ON/OFF rocker switch
3	Custom Communication Port	Port for connecting the Rack LCD Console to the target device (KVM switch or server) using one of the included custom communication cables (PS2 or USB).
4	USB Port	USB pass-through from the USB Port on the front of the Rack LCD Console.

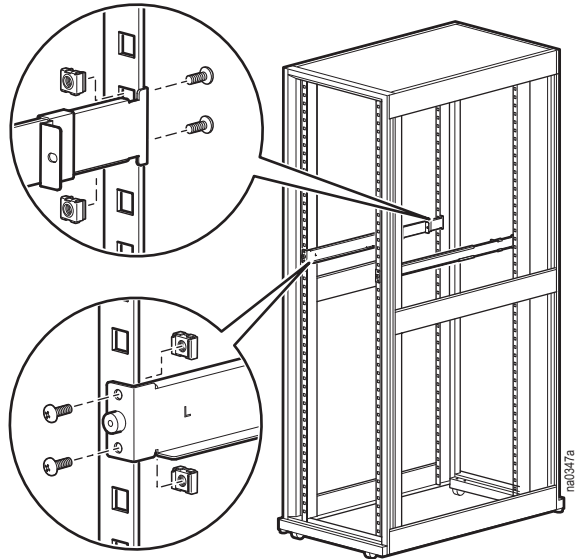
Installation

Brackets

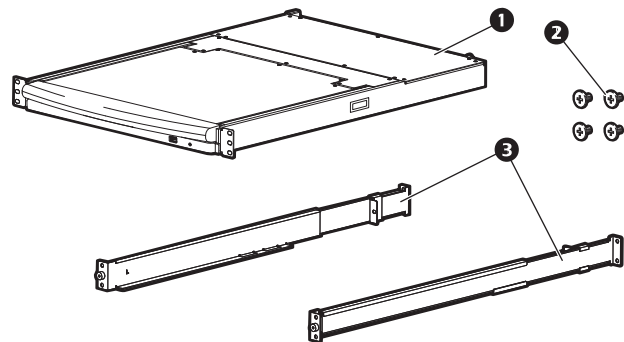


Caution: Use only the hardware provided to install the Rack LCD Console in the rack.

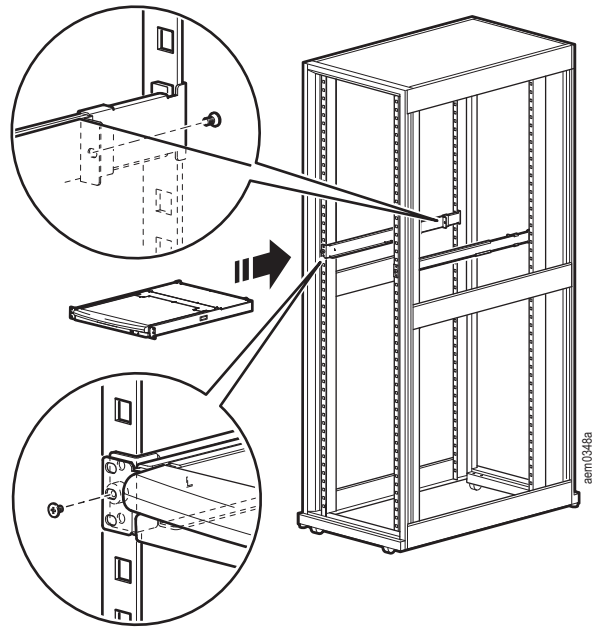
1. Attach the left and right mounting rails to the inside of the rack. The flange that supports the Rack LCD Console station will be to the inside.
 - a. Screw the front flanges to the rack first.
2. Slide the bars with the rear flanges toward the rack until the flanges make contact with the rack then screw the rear flanges to the rack.



3. Slide the Rack LCD Console (1) onto the support flanges (3). Use the M4 x 6 screws (2) supplied to loosely attach the front of the Rack LCD Console to the front of the rack.
 - a. Do not fully tighten the screws at this time.



4. Slide the rear attachment sliding brackets along the slide bars until they contact the rear of the Rack LCD Console. Use the supplied M4 x 6 screws to attach the bars to the rear of the Rack LCD Console switch. Fully tighten these screws.
5. Slide the Rack LCD Console open and closed two or three times to be sure it is operating smoothly.
6. If the Rack LCD Console is moving properly in the brackets, fully tighten the screws inserted in step 3.



Rack LCD Console Installation

Cable installation

Connect the target device (KVM switch or server) to the custom communication port on the back of the Rack LCD Console using one of the two custom communication cables (PS2 or USB) that are included. Plug the keyboard, monitor, and mouse connectors to the ports on the target device (KVM switch or server).



Note: The maximum distance between the Rack LCD Console and the target device (a KVM switch or server) is 32.8 feet (10m).

Power On the Rack LCD Console

1. Plug the power cord into the power socket on the Rack LCD Console and into an AC power outlet.
2. Turn the Rack LCD Console on. See “Power Switch” on page 6 for the location of the On/Off toggle switch at the back of the Rack LCD Console.

Operation

Basic Functions

Opening the Rack LCD Console

To access the console, slide the Rack LCD Console out of the rack and raise the cover.



Slide Rail Caution: Do not lean your body weight on the Rack LCD Console. Do not place heavy objects on the Rack LCD Console. Do not use the Rack LCD Console as a shelf.

Closing the Rack LCD Console

Close the cover and slide the Rack LCD Console into the rack.

Powering off and restarting

Turn off the power to the Rack LCD using the rear panel power switch. See “Power Switch” on page 6 for the location of the On/Off switch.

To restart the Rack LCD turn the rear panel power switch back on.

Standby mode

The Rack LCD will go into Standby mode to save energy when the cover is closed. The display will turn OFF when the cover reaches approximately 15 degrees from completely closed. Power will remain ON but the monitor display will be OFF.

Hot plugging

Components can be removed and added to the Rack LCD Console by unplugging their cables from the ports without the need to shut down the console.

LCD OSD (On Screen Display) configuration

Button	Function
MENU	<ol style="list-style-type: none">Starting: Pressing the MENU button initiates the LCD OSD and brings up the Main menu.While the OSD user interface is in use, when a setting choice is reached, pressing the MENU button brings up the setting adjustment window.
Right/Up Arrow Button	Clicking the Right/Up Arrow button moves the cursor Right or Up through the menus, or increases the value when making an adjustment.
Left/Down Arrow Button	Clicking the Left/Down Arrow button moves the cursor Left or Down through the menus, or decreases the value when making an adjustment.
EXIT	<ol style="list-style-type: none">If the LCD OSD user interface has not been started, pressing the EXIT button initiates an auto adjustment which reconfigures the settings to the display defaults.While the LCD OSD is in use, pressing the EXIT button will exit the current menu and return to the previous menu. To leave an adjustment menu, press the EXIT button when the adjustment is complete.From the Main Menu screen, pressing the EXIT button, will exit the LCD OSD.

Monitor settings

Setting	Explanation
Brightness	Adjust the brightness level of the screen.
Contrast	Adjust level of color difference between foreground and background colors.
Phase	Adjust the phase setting of the screen so that no dark horizontal bands are visible.
Clock	Adjust the clock setting of the screen so that no dark vertical bands are visible.
H-Position	Moves the display area left or right.
V-Position	Moves the display area up or down.
Color Hue	Adjusts the color quality of the display. The Adjust Color selection has a submenu that allows fine tuning of RGB values.
Language	Select the language in which the OSD displays menus.
OSD Duration	Adjust the number of seconds before the On Screen Display shuts down due to inactivity.
Reset	Resets all menus (except language) and submenus to factory default settings.



Note: See “EXIT” on page 10 for information on setting the auto-adjust feature.

USB Peripheral Devices

The front panel USB port is available to connect a USB peripheral device (flash drive, CD-ROM drive, mouse, etc.) to the target device (KVM switch or server) using the pass-through USB port on the back of the Rack LCD Console.

The front panel USB port will recognize a USB peripheral device when it is inserted. If a mouse is subsequently used in that port, use the hotkey combination **Ctrl + Enter** to reset the port so it will recognize the mouse.

Firmware Upgrade Mode

Check www.apc.com regularly to find the latest information and firmware upgrade packages.



Note: Do not connect the RJ-11 port marked “Upgrade” to a public telecommunication network.

Start the upgrade

To download the firmware upgrade package:

1. Turn off the power to the Rack LCD Console.
2. Slide the Firmware switch to RECOVER.
3. Turn on the power to the Rack LCD Console.



Note: When the Rack LCD Console is in Firmware Upgrade Mode, the Num Lock, Caps Lock and Scroll Lock LEDs will flash on and off repeatedly.

4. Connect the Firmware Upgrade Cable (provided) to a COM port on a computer that is not part of your installation and to the Firmware **Upgrade** Port of the Rack LCD Console. From your computer, go to www.apc.com and enter the model name of your Rack LCD Console for a list of available firmware upgrade packages.
5. Run the download from your computer by double clicking the file icon, or by opening a command line and entering the full path and filename.
6. The Firmware Upgrade Utility **Welcome** screen will appear.
7. Read and agree to the License Agreement by clicking the **I Agree** button.
8. The Firmware Upgrade Utility main screen will appear. The Utility inspects your installation. All devices capable of being upgraded by the package are listed in the Device List panel.
9. Click **Next** to perform the upgrade.
If you checked the **Check Firmware Version** box in the Firmware Upgrade Utility main screen, the Utility will compare the device’s firmware level with that of the upgrade files. If it finds that the device’s version is higher than the upgrade version, a dialog box will open to inform you and give you the option of continuing the upgrade or quitting.
If you did not check the **Check Firmware Version** box, the Utility installs the upgrade files without checking if they are a higher level or not.
10. Status messages appear in the Status Message panel and progress toward completion is shown on the Progress bar.

Upgrade succeeded

After the upgrade has completed, an **UPGRADE SUCCEEDED** screen appears to inform you that the procedure was successful. Click **Finish** to close the firmware upgrade utility.

Upgrade failed

The **UPGRADE FAILED** screen appears if the upgrade fails to complete successfully.

Exit firmware upgrade mode

1. Slide the Firmware Upgrade Recovery Switch to the **Normal** position.
2. Remove the Firmware Upgrade cable from the Firmware Upgrade Port of the Rack LCD Console.
3. Turn the power to the Rack LCD Console OFF and then turn the power ON.

Firmware upgrade recovery

There are three conditions that call for firmware upgrade recovery:

- If the Rack LCD Console's firmware becomes corrupted and is unable to operate.
- When a firmware upgrade is interrupted.
- When a firmware upgrade fails.

To perform a firmware upgrade recovery:

1. Shut off power to the Rack LCD Console. Disconnect the Rack LCD Console from the target device.
2. Connect the Firmware Upgrade Cable to the Firmware Upgrade Port and to a COM port of a computer not connected to your installation.
3. Slide the Firmware Upgrade Recovery Switch to the **Recover** position. See “FW UPGRADE NORMAL / RECOVERY” on page 5 for the switch location.
4. Apply power to the Rack LCD Console and repeat the upgrade procedure. See “Start the upgrade” on page 12 for more information.
5. Once the upgrade is successful, shut off power to the Rack LCD Console. Disconnect the Firmware Recovery Cable from your computer. Slide the Firmware Upgrade Recovery Switch to the **Normal** position. See “FW UPGRADE NORMAL / RECOVERY” on page 5 for more information.
6. Turn the power **On** to the Rack LCD Console.
7. Reconnect the Rack LCD Console to the target device.

Troubleshooting

Symptom	Action
There are ghost images on the external monitor	The distance between the external console and the Rack LCD is too great. The maximum VGA cable distance should not exceed 20m and in some cases may need to be shorter. Replace the VGA cable with one of an appropriately short length.
Some characters entered from the keyboard do not display correctly.	The keyboard layout setting for the port does not match the keyboard you are using. On your switch, change the keyboard layout setting for the port to match the layout of the keyboard you are using.
No power or no response from the target device (KVM switch or server)	Check that all cables are securely attached in their sockets.
Erratic behavior	Update the firmware. See “Firmware Upgrade Mode” on page 12 for more information.

Specifications

Function		AP5717, F, G, J, R, UK	AP5719
Server Connections		1	
Connectors	Communication ports	1 x SPHD-18 (Female) Yellow	
	External mouse	1 x USB Type A (Female) Black	
	Firmware upgrade port	1 x RJ-11	
	Power	1 x 3-prong AC socket	
	USB 1.1 hub	1 x USB Type-A (Female)	
	USB 1.1 pass through	1 x USB Type-B (Female)	
Switches	Reset	1 x semi-recessed pushbutton	
	Power	1 x rocker switch	
	Firmware upgrade	1 x switch	
	LCD adjust	4 x pushbutton	
	LCD on/off power	1 x LED pushbutton (orange)	
LEDs	LCD on/off power	1 (orange)	
	Power	1 (blue)	
	Num lock	1 (Green)	
	Caps lock	1 (Green)	
	Scroll lock	1 (Green)	
Emulation	Keyboard/mouse	PS/2, USB	
Video	Maximum Resolution	1280 x 1024 @ 75 Hz, DDC2B	
		1280 x 1024 @ 60 Hz	
		1024 x 768 @ 75 Hz	
		1024 x 768 @ 70 Hz	
		1024 x 768 @ 65 Hz	
		800 x 600 @ 75 Hz	
		800 x 600 @ 72 Hz	
		800 x 600 @ 60 Hz	
		720 x 400 @ 60 Hz	
		640 x 480 @ 75 Hz	
		640 x 480 @ 72 Hz	
	Minimum Resolution	640 x 480 @ 60 Hz	
I/P rating		100 - 240 VAC, 50/60 Hz, 1 A	
Power consumption		29.6W	32.2W
Environment	Operating temperature	32°F - 104°F (0 - 40°C)	
	Storage temperature	-4°F - 140°F (-20°C to 60°C)	
	Humidity	0 - 80% RH, Noncondensing	
Physical Properties	Housing	Metal and plastic	
	Weight	15.90 kg	17.40 kg
	Dimensions (L x W x H)	61.40 x 48.20 x 4.40 cm	66.50 x 48.20 x 4.40 cm

Radio Frequency Interference



Changes or modifications to this unit not expressly approved by the party responsible for compliance could void the user's authority to operate this equipment.

USA—FCC

This equipment has been tested and found to comply with the limits for a Class A digital device, pursuant to part 15 of the FCC Rules. These limits are designed to provide reasonable protection against harmful interference when the equipment is operated in a commercial environment. This equipment generates, uses, and can radiate radio frequency energy and, if not installed and used in accordance with this user manual, may cause harmful interference to radio communications. Operation of this equipment in a residential area is likely to cause harmful interference. The user will bear sole responsibility for correcting such interference.

Canada—ICES

This Class A digital apparatus complies with Canadian ICES-003.

Cet appareil numérique de la classe A est conforme à la norme NMB-003 du Canada.

APC Worldwide Customer Support

Customer support for this or any other APC product is available at no charge in any of the following ways:

- Visit the APC Web site to access documents in the APC Knowledge Base and to submit customer support requests.
 - **www.apc.com** (Corporate Headquarters)
Connect to localized APC Web sites for specific countries, each of which provides customer support information.
 - **www.apc.com/support/**
Global support searching APC Knowledge Base and using e-support.
- Contact the APC Customer Support Center by telephone or e-mail.
 - Local, country-specific centers: go to **www.apc.com/support/contact** for contact information.

For information on how to obtain local customer support, contact the APC representative or other distributors from whom you purchased your APC product.

© 2010 APC by Schneider Electric. APC and the APC logo are owned by Schneider Electric Industries S.A.S., American Power Conversion Corporation, or their affiliated companies. All other trademarks are property of their respective owners.